

First, the points L and A are set and thus the distance d as well. Subsequently, the vanishing points' positions can be calculated by the formulas shown to the right.

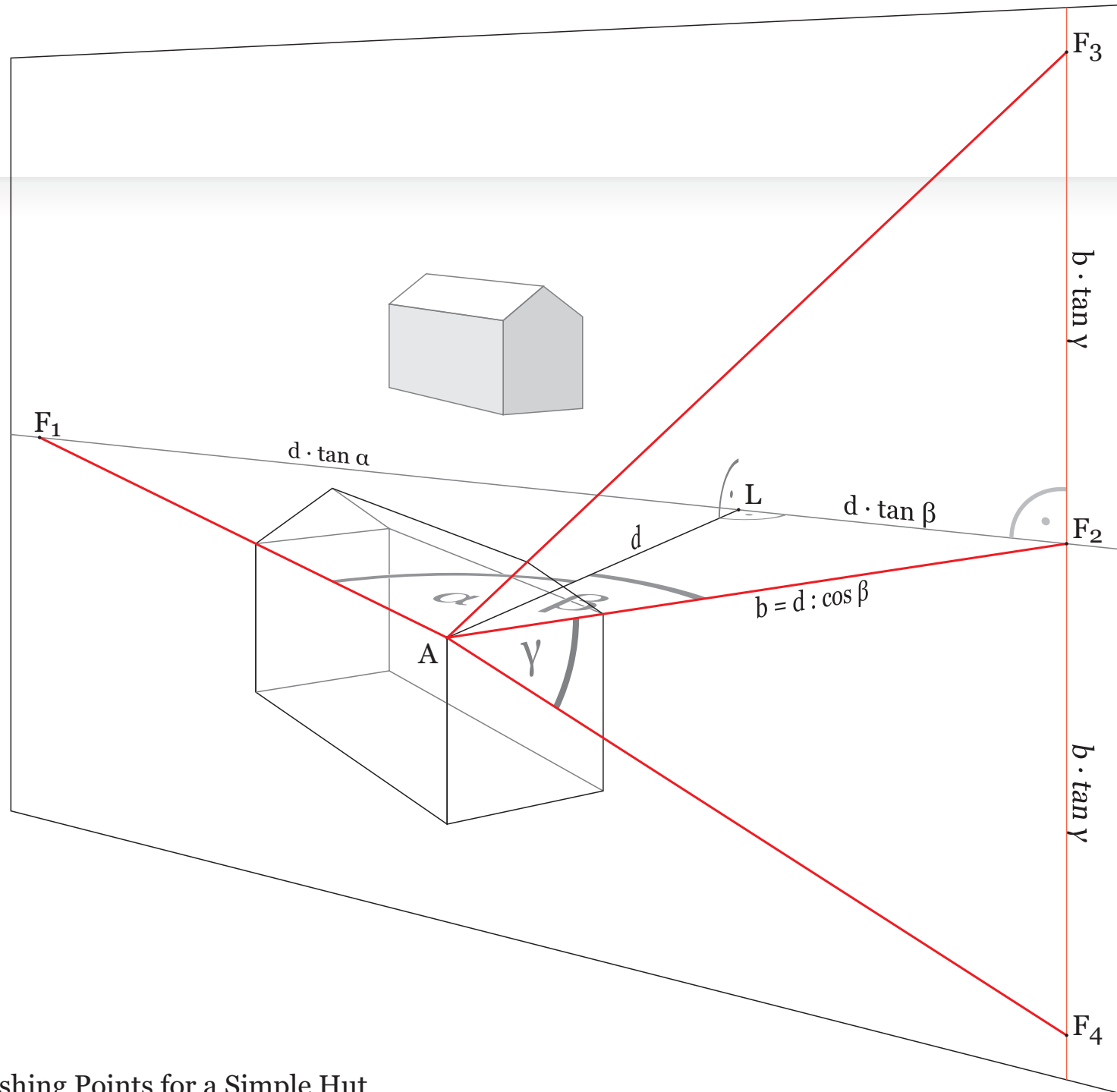


Fig. 2: Calculating Vanishing Points for a Simple Hut